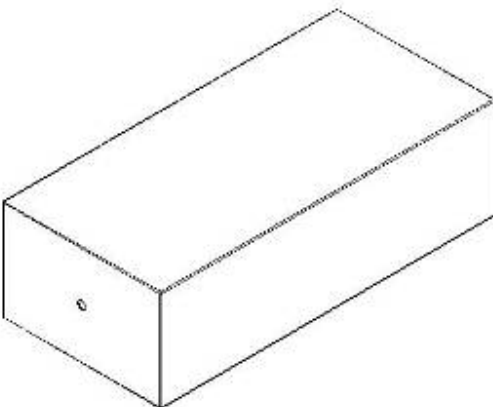
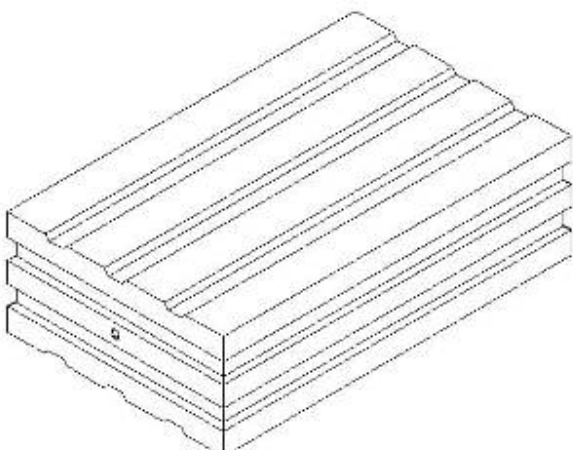
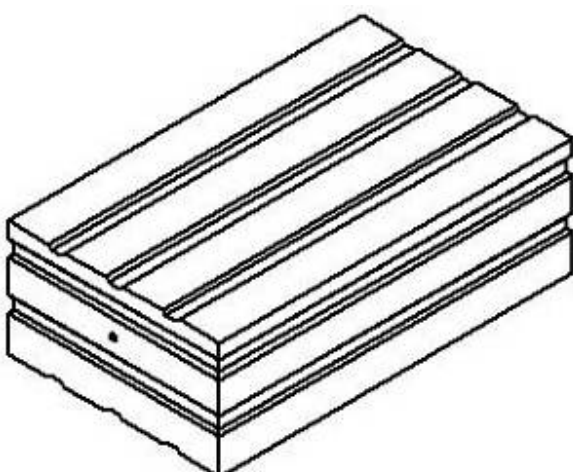


Camper Fittings Sheet

	<p>Size Fitting ¾" 1" 1 ¼" 1 ½" 2"</p> <p>Always working as side A being where the breather hole is. E is top and F is bottom</p> <table style="width: 100%; border-collapse: collapse;"> <tr> <td style="width: 5%;">A</td> <td style="width: 15%;">Top</td> <td style="width: 15%;">Bottom</td> <td style="width: 15%;">Left</td> <td style="width: 15%;">Right</td> </tr> <tr> <td>B</td> <td>Top</td> <td>Bottom</td> <td>Left</td> <td>Right</td> </tr> <tr> <td>C</td> <td>Top</td> <td>Bottom</td> <td>Left</td> <td>Right</td> </tr> <tr> <td>D</td> <td>Top</td> <td>Bottom</td> <td>Left</td> <td>Right</td> </tr> <tr> <td>E</td> <td>Top</td> <td>Bottom</td> <td>Left</td> <td>Right</td> </tr> <tr> <td>F</td> <td>Top</td> <td>Bottom</td> <td>Left</td> <td>Right</td> </tr> </table> <p style="text-align: center;">Please circle the size and position of fittings required</p>	A	Top	Bottom	Left	Right	B	Top	Bottom	Left	Right	C	Top	Bottom	Left	Right	D	Top	Bottom	Left	Right	E	Top	Bottom	Left	Right	F	Top	Bottom	Left	Right
A	Top	Bottom	Left	Right																											
B	Top	Bottom	Left	Right																											
C	Top	Bottom	Left	Right																											
D	Top	Bottom	Left	Right																											
E	Top	Bottom	Left	Right																											
F	Top	Bottom	Left	Right																											
	<p>Size Fitting ¾" 1" 1 ¼" 1 ½" 2"</p> <p>Always working as side A being where the breather hole is. E is top and F is bottom</p> <table style="width: 100%; border-collapse: collapse;"> <tr> <td style="width: 5%;">A</td> <td style="width: 15%;">Top</td> <td style="width: 15%;">Bottom</td> <td style="width: 15%;">Left</td> <td style="width: 15%;">Right</td> </tr> <tr> <td>B</td> <td>Top</td> <td>Bottom</td> <td>Left</td> <td>Right</td> </tr> <tr> <td>C</td> <td>Top</td> <td>Bottom</td> <td>Left</td> <td>Right</td> </tr> <tr> <td>D</td> <td>Top</td> <td>Bottom</td> <td>Left</td> <td>Right</td> </tr> <tr> <td>E</td> <td>Top</td> <td>Bottom</td> <td>Left</td> <td>Right</td> </tr> <tr> <td>F</td> <td>Top</td> <td>Bottom</td> <td>Left</td> <td>Right</td> </tr> </table> <p style="text-align: center;">Please circle the size and position of fittings required</p>	A	Top	Bottom	Left	Right	B	Top	Bottom	Left	Right	C	Top	Bottom	Left	Right	D	Top	Bottom	Left	Right	E	Top	Bottom	Left	Right	F	Top	Bottom	Left	Right
A	Top	Bottom	Left	Right																											
B	Top	Bottom	Left	Right																											
C	Top	Bottom	Left	Right																											
D	Top	Bottom	Left	Right																											
E	Top	Bottom	Left	Right																											
F	Top	Bottom	Left	Right																											
	<p>Size Fitting ¾" 1" 1 ¼" 1 ½" 2"</p> <p>Always working as side A being where the breather hole is. E is top and F is bottom</p> <table style="width: 100%; border-collapse: collapse;"> <tr> <td style="width: 5%;">A</td> <td style="width: 15%;">Top</td> <td style="width: 15%;">Bottom</td> <td style="width: 15%;">Left</td> <td style="width: 15%;">Right</td> </tr> <tr> <td>B</td> <td>Top</td> <td>Bottom</td> <td>Left</td> <td>Right</td> </tr> <tr> <td>C</td> <td>Top</td> <td>Bottom</td> <td>Left</td> <td>Right</td> </tr> <tr> <td>D</td> <td>Top</td> <td>Bottom</td> <td>Left</td> <td>Right</td> </tr> <tr> <td>E</td> <td>Top</td> <td>Bottom</td> <td>Left</td> <td>Right</td> </tr> <tr> <td>F</td> <td>Top</td> <td>Bottom</td> <td>Left</td> <td>Right</td> </tr> </table> <p style="text-align: center;">Please circle the size and position of fittings required</p> <p style="text-align: center;">A 2" fitting will not fit on top rib of sides A, B, C & D</p>	A	Top	Bottom	Left	Right	B	Top	Bottom	Left	Right	C	Top	Bottom	Left	Right	D	Top	Bottom	Left	Right	E	Top	Bottom	Left	Right	F	Top	Bottom	Left	Right
A	Top	Bottom	Left	Right																											
B	Top	Bottom	Left	Right																											
C	Top	Bottom	Left	Right																											
D	Top	Bottom	Left	Right																											
E	Top	Bottom	Left	Right																											
F	Top	Bottom	Left	Right																											

Small

Medium

Large